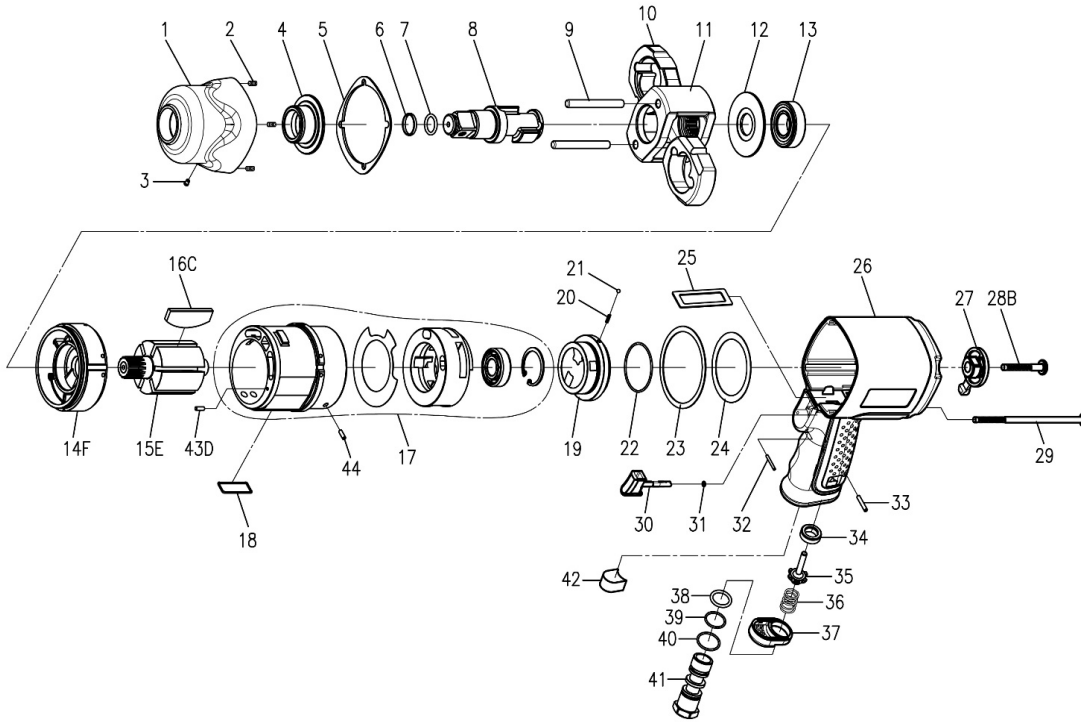


3/4" PROFESSIONAL AIR IMPACT WRENCH



Index No.	Part No.	Description	Q'ty	PRICE (USD)	Index No.	Part No.	Description	Q'ty	PRICE (USD)
1	278V-002	Hammer Case	1	11.64	22	00-4179	O-Ring	1	0.28
3	00-4603	Grease Fitting	1	0.34	23	278F-030	Rear Gasket	1	0.28
2	00-4306	Inserts Recoil	4	0.58	24	278F-031	Washer	1	0.85
4	278F-010	Anvil Bushing	1	5.71	25	278F-019	Air Channel Gasket	1	0.28
5	278F-020	Front Gasket	1	0.46	26	278V-001	Motor Housing	1	30.85
6	280-028	Anvil Collar	1	0.17	27	278V-022	Regulator Knob	1	1.06
7	00-4122	O-Ring	1	0.17	28B	00-6202	Cap Screw	1	0.28
8	278D-011A6	Anvil	1	38.31	29	278F-028	Screw	4	0.58
9	285C-016	Hammer Pin	2	1.43	30	278H-024	Trigger	1	1.27
10	278V-017	Hammer	2	16.56	31	00-4101	O-Ring	1	0.17
11	278D-012	Hammer Cage	1	33.02	32	00-3335	Spring Pin	1	0.17
12	278-019-B	Rear Washer	1	1.06	33	00-3308	Spring Pin	1	0.17
13	00-2325	Ball Bearing	1	4.23	34	306-027-B	Bushing	1	0.90
14F	278F-005-B	Front End Plate	1	7.20	35	306-026	Valve Stem	1	0.90
15E	278F-007-B	Rotor	1	17.67	36	278H-026	Spring	1	0.28
16C	278H-008D	Rotor Blade	6	1.27	37	278V-021	Exhaust Deflector	1	0.34
17	278F-006B	Cylinder	1	55.98	38	00-4126	O-Ring	1	0.17
	278F-033	Valve Sleeve Gasket	1		39	00-4143	O-Ring	1	0.17
	278F-029	Valve Sleeve	1		40	00-4173	O-Ring	1	0.34
	00-2304	Ball Bearing	1		41	278J-025A	Air Inlet(3/8" PF-19)	1	6.35
	00-3111	Snap Ring	1			278J-025B	Air Inlet(3/8" PT-19)	1	6.35
18	278F-041	Square Ring	1	0.28		278J-025C	Air Inlet(3/8" NPT-18)	1	6.35
19	278J-021	Reverse Valve	1	5.24	42	278V-027	Non Woven	1	0.28
20	305F-034	Spring	1	0.17	43D	00-3435	Pin	1	0.17
21	00-3805	Steel Ball	1	0.17	44	00-3355	Spring Pin	1	0.17