

Схема запасных
частей

 **EUROBOOR**
FOR PROFESSIONALS BY PROFESSIONALS

Магнитный сверлильный станок **ECO.100S+/TD**



Внимание! Перед использованием данной схемы запчастей убедитесь, что она является актуальной для станка с вашим серийным номером. Для этого обратитесь к дилеру EUROBOOR или посетите официальный сайт <https://euroboor.com/ru>

Схема запасных частей станка Euroboor ECO.100S+/TD

Номер	Артикул	Описание
1	100S.1001	Motor 220V ECO.100S+
2	050.0106	Screw 4.8 x 45
3	100.0322Z	End cover
3A	P020.0278	LED red alarm 220V
4	032.0116	Screw M4 x 16
5	100.4006	Control unit top ECO.100 110/220V
6-7,9-13	100.0372	Carbon brush holder assembly
8(A)	Carbon.100+	Carbon brush set 220V (100.0368 + 100.0368AUTO)
14	100.4388	Housing
14A	CS100.0342/2	Cable set 1608 ->
15	100.4576	Torque switch housing
16	100.4574	Wheel red
17	100.4573	Torque potenionmeter 1 K
18	100.0611	T/S switch cap V1-V3
19	100.0617	Screw PKVZ 6 x 45
20	100.1004-CK-1	Field 220V
21	100.0391	Baffle
22	100.0346	Rubber fitting ring
23	100.0348	Armature speed disk 1800W/1900W
24	080.0351	Bearing 6000
25A	100S.1011	Armature set 220V
26	032.0166	Circlip 472/28/1.2
27	050.9070	Bearing 6001V V
27A	100S.0064	Bearing 15 x 23 x 3
28	100S.0401X	Inner gear plate
28A	100S.0071	O-ring 106 x 1.8
29	100.0571	Circlip 471 11 x 1
30	100.0458	Gasket big
31	130.0065	Ring metal
32	100S.1006	Clutch shaft
33	100.0426	Circlip 471 24 x 1.2
34	080.4324	Spindle gear 38T
35	080.4411	Adapter ring
36	100.0446	Bearing 6005
37	040.0161	Needle bearing HK0810
38	100.4312	Friction clutch complete assy (7T)
38A	080.4321	Axle 1
38B	100.4350	Nut M10
38C	100.4351	Washer 12 x 18 x 1
38D	100.4338	Friction lock disk 1
38E	100.4340	Brass disk 1
38F	100.4344	First gear 36T
38G	100.4349	Brass disk 2
38H	100.4353	Friction lock disk 2
38I	100.4352	Tension shell 28
39	080.0506	Bearing
40	100.4321	Axle 1 28+13T
41	040.0301	Key
42	100.4491	Double gear 1 25T+39T
43	100.4320	Double gear 2 36T+41T
44	100.4334	Axle 3 (13T)
45	080.0526	Key 3
46	080.4486	Washer 14 x 22 x 1

Схема запасных частей станка Euroboor ECO.100S+/TD

Номер	Артикул	Описание
47	080.0481	Needle bearing
48	100S.1007	Clutch shaft
49	100.0549	Casing pin
50	100S.1017	Gear box
51	100S.1014	Gear switch
52	100.0459	Screw BK 5.5 x 45
53	050.0078	Ring 41.5 x 36.5 x 1.5
54	020.0329	Screw M4 x 16
55	050.0082	Screw holder
56	080.0431	Key spindle 6 x 6 x 20
57	100.0901	Spindle drive shaft
58	100S.0076	Rack 1.5 x 58T
59	020.0003	Pin
60	020.0106	Screw M6 x 14
60A	360.1025	Bolt M6 x 14
61	020.0111	Washer M6 DIN7980
62	100S.0462X	Slide
63	020.0146B	Screw M6 x 35
64	020.0146	Screw M6 x 25
65	100S.0067	Wool felt ring 45 x 58 x 5
66	100S.0066	Bearing NKX-45
67	100S.0065	Bearing 35 x 42 x 8
68	KSP.MS	Screw M5 x 10
69	020.0298	Motor cable clamp
70	KSP.MS	Screw M5 x 10
71	KSP.M/3	Tank holder
72	100.0022	Bolt M5 x 20
73	100.0193A	Aluminium rail (L) 22 x 18.5 x 442.5
74	100.0193B	Aluminium rail (R) 22 x 18.5 x 442.5
75	080.0016BX.5A	Rear panel 220V
76	020.0101	Panel screw BKVZ M4 x 8
81A	100.1028	Speed control unit 220V
83	100.4002	Control unit 2 ECO.100 220V 1501->
84	020.0081	End screw BKVZ M6 x 16
85	020.0077H	End plate black
86	100S.1002	Frame
87	020.0516	Screw M5 x 10
88	100.4610	Motor cable complete V6
88A	CS100.0341/2	Cable set 1608 ->
89	020.0032	Adapter PG9 - PG11
90	020.0033	Coupling nut PG11
91	100.0101H	Capstan hub assembly black
92	020.0314X	Arm for capstan
93	020.0036	Main cable 220V EU
	020.0031	Coupling nut PG11 (main cable)
94-95	020.0182	Grounding screw/washer/nut
94, 96-97	020.0037	Cable clamp complete
98	100S.0008XD	Front panel plate ECO.100S+/TD
99	030E.0091/Y	Motor switch 220V (5-pin) YELLOW
100	100.0152	R/L switch (push) 1800W
101	020.0017	Fuse 5 x 20 F2A
102	020.0016	Fuse holder
103	020.0206	LED indicator set

Схема запасных частей станка Euroboor ECO.100S+/TD

Номер	Артикул	Описание
104	020.0011/1	Magnet switch
105	100.1009	Potentiometer
106	3D-04	Eccentric shaft
107	020.0004	Pin 5 x 25
108	020.0074	Screw M5 x 12
109	3D-02	Adapter sleeve
110	3D-01Z	Pressing plate 96 x 54 x 20
111	100.0007	Screw SS M8 x 22
112	100.0006	Screw SS M8 x 25
113	020.0305	Washer M8
114	0053L	Connecting plate
115	100.0018A	Filter
116	3D-03	Connecting screw rod
117	100.1008	Sensor
118	020.0003	Pin
119	100.0038-D	Magnet 220V D-system
120-123	020.0151	Magnet spring ball
124	055.1041L	Gyroscope PCB set

Схема запасных частей станка Euroboor ECO.100S+/TD

ECO. 100S+/TD

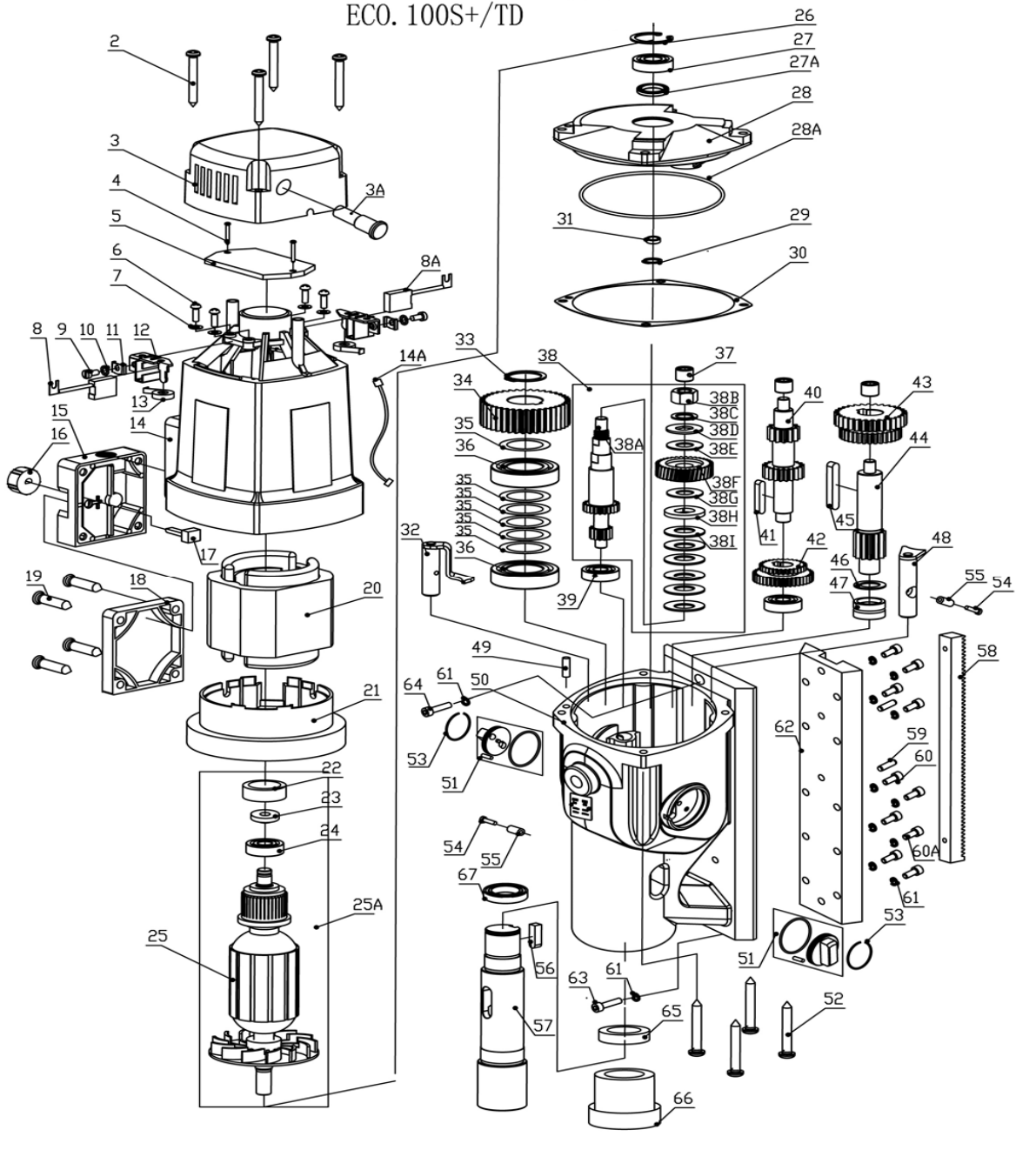


Схема запасных частей станка Euroboor ECO.100S+/TD

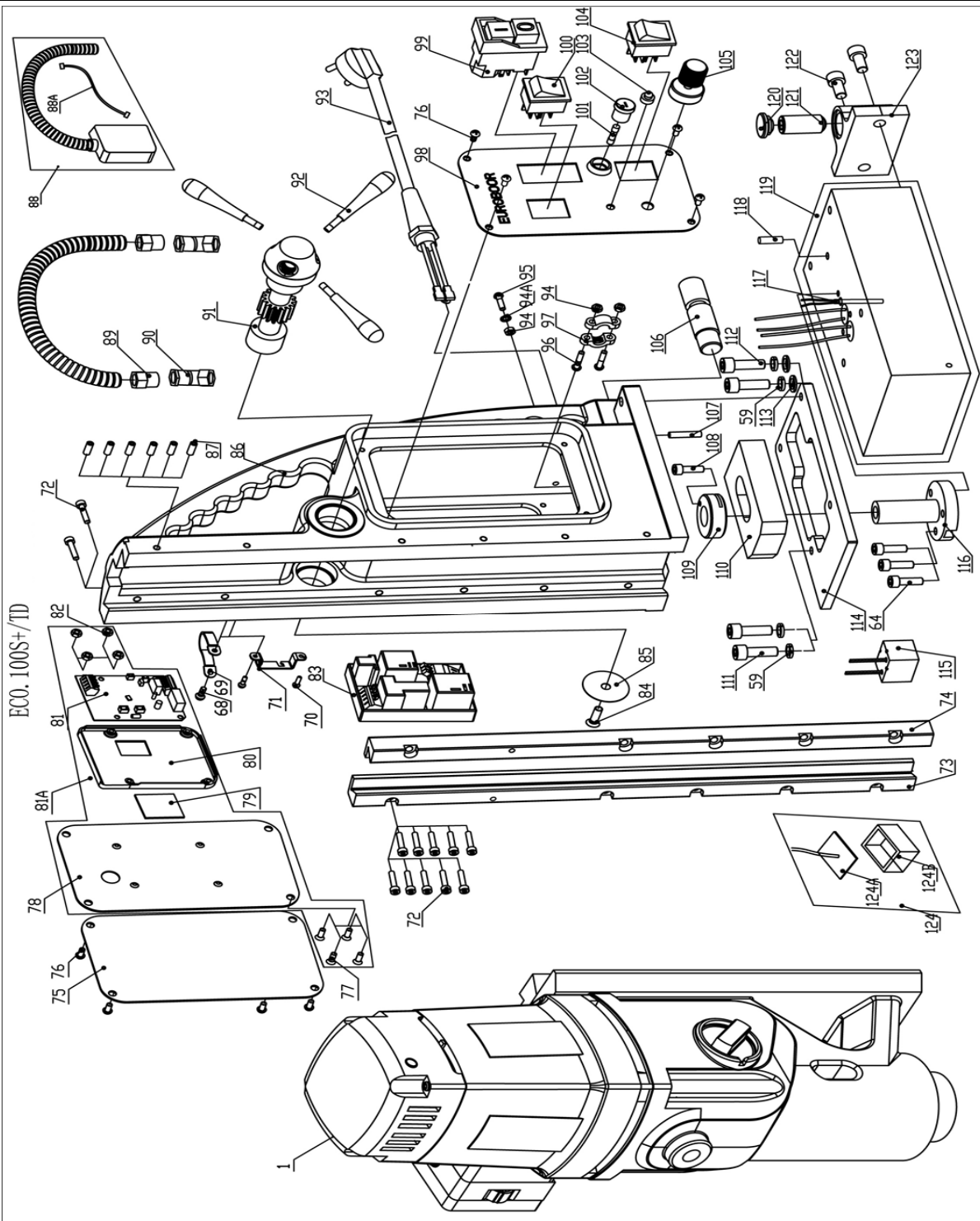


Схема запасных частей станка Euroboor ECO.100S+/TD

