



Magnetic drilling machine

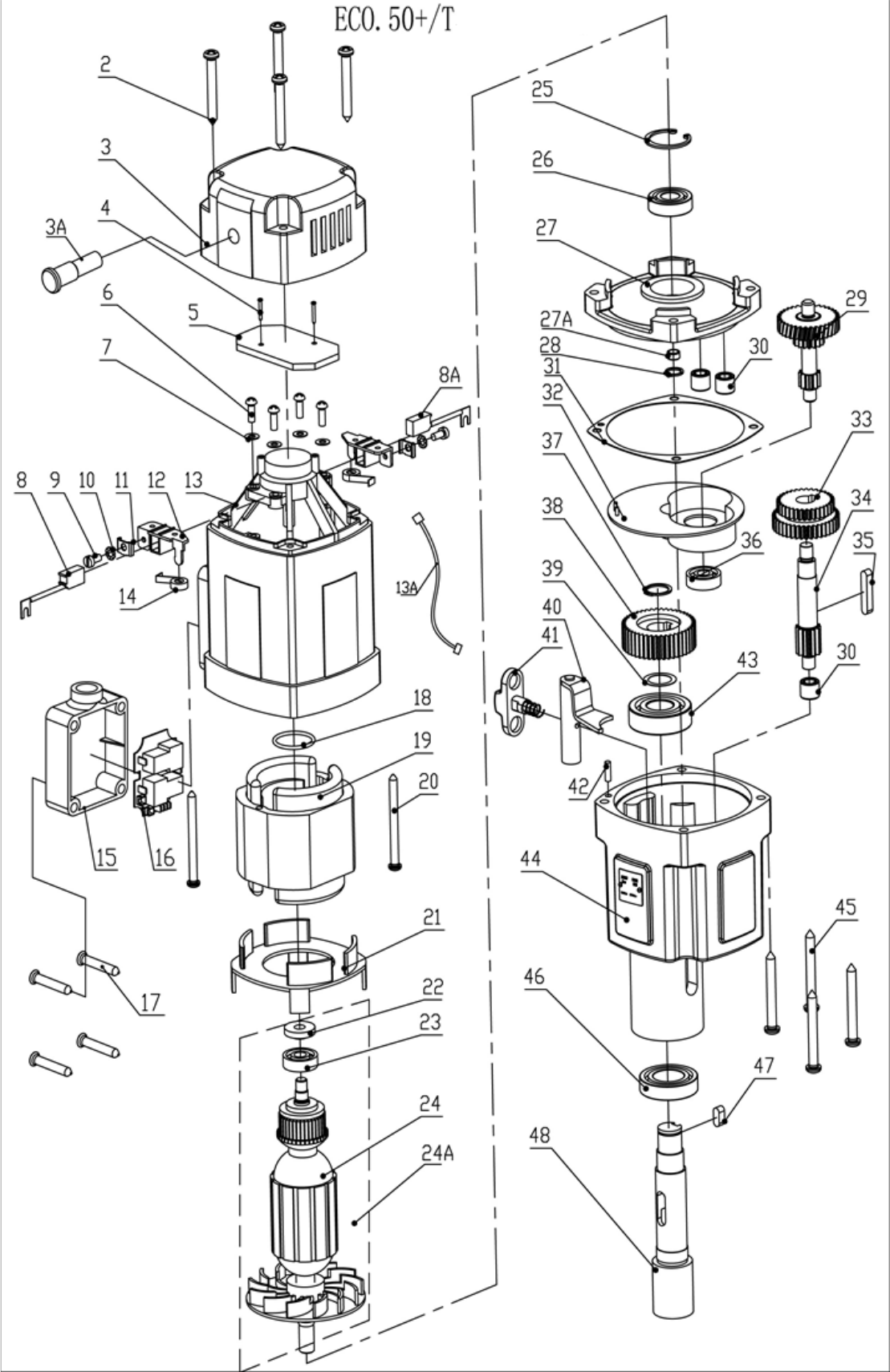
ECO.50+*/T*

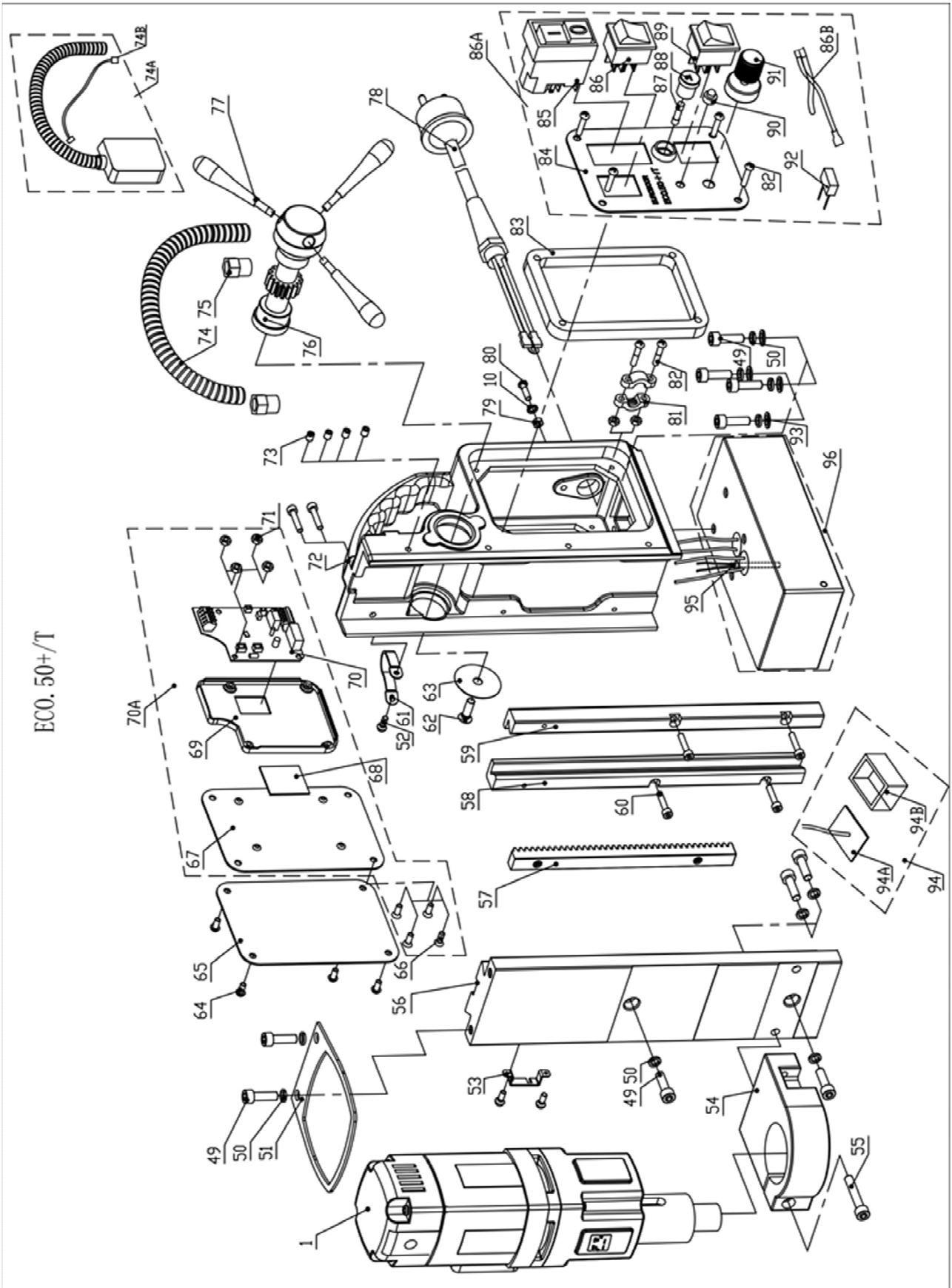
with 2-way electromagnet



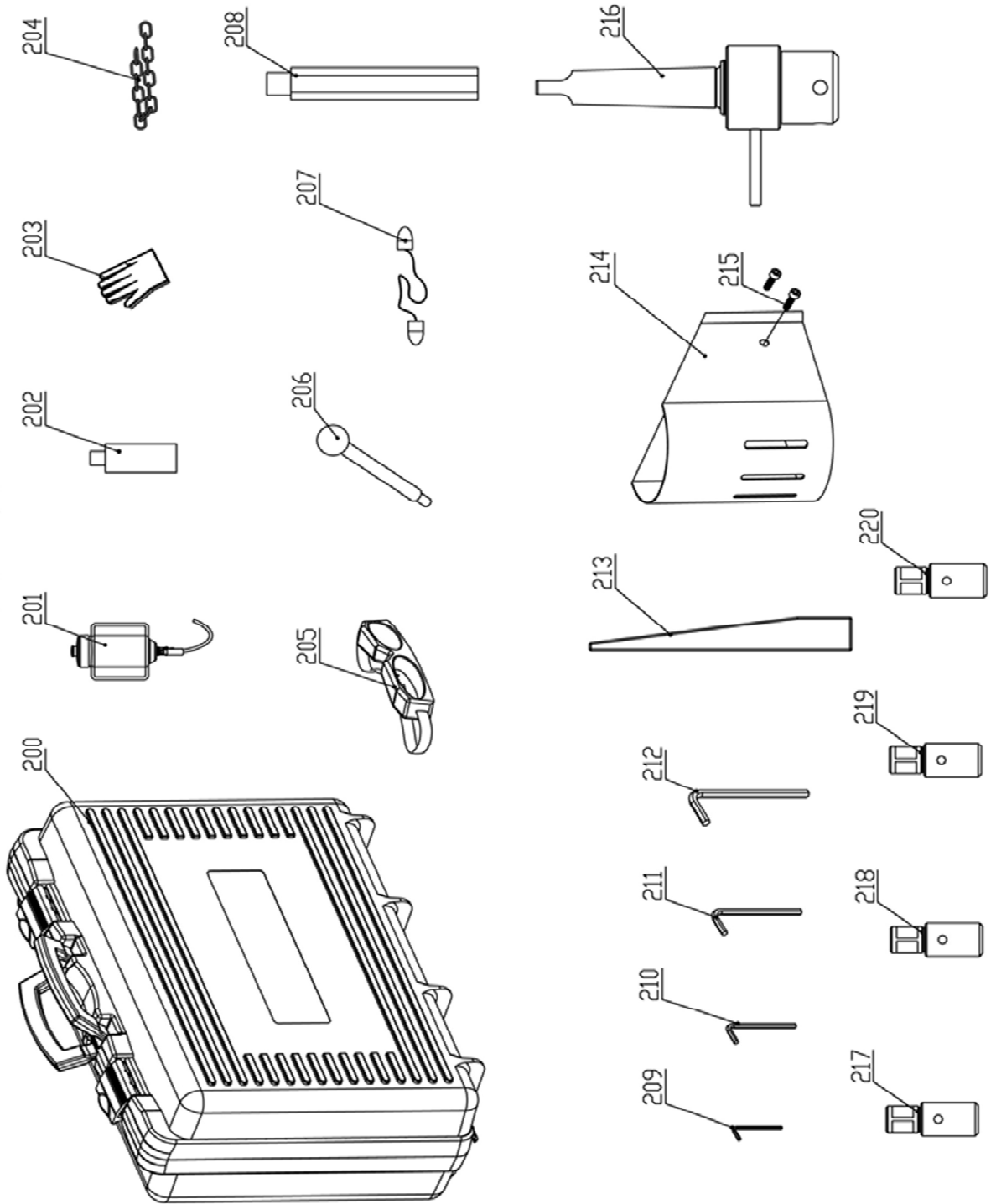
8. Exploded views & spare parts list

8.1 Exploded views





ECO. 50+/T



8.2 Spare parts list

No.	Part. no.	Description	Qty
1	050T.1001Z	ECO.50+/T motor unit 220V ext. cable	1
	050T.1001ZA	ECO.50+/T motor unit 110V ext. cable	
2	050.0106	Screw 4.8 x 45	4
3	050.0111Z	End cover 110V / 220V	1
3A	P020.0278	Led indicator red alarm 220V	1
	P020.0278A	Led indicator red alarm 110V	
4	032T.0019XA	Screw M3 x 8	2
5	050T.0006	Control unit 2	1
6	050.0371	Carbon brush holder	2
7			
9			
10			
11			
12			
14			
8(A)	Carbon.50+	Carbon brush set 220V	1
	Carbon.50A+	Carbon brush set 110V	
13	050.0142	Housing	1
13A	CS050T.0342	Cable set	1
15	050.0586	Cable housing	1
16	050T.0002	Control unit 1 220V (2015)	1
	050T.0002	Control unit 1 220V (2015)	
17	050.0587	Screw 5 x 30	4
18	050.0116	Adapter ring $\varnothing 27 \times 2.45$	1
19	050T.0276-1	Field 220V ECO.50T 1501 ->	1
	050T.0277-1	Field 110V ECO.50T 1501 ->	
20	020.0024	Screw M4 x 60	2
21	050.0261	Baffle	1
22	050T.0180	Ring magnet	1
23	032.0126	Bearing 608ZZ 8 x 22 x 7	1
24A	050T.0181	Armature 220V	1
	050T.0186	Armature 110V	
25	032.0166	Circlip 472/28/1.2	1
26	032.0171	Bearing 6001ZZ 12 x 28 x 8	1
27	050.0236	Inner gear plate	1
27A	050.0065	Metal ring $\varnothing 40$	1
28	050.0176	Circlip	1

No.	Part. no.	Description	Qty
29	050.0252	Gear assembly	1
30	040.0161	Needle bearing HK0810	3
31	050.0207	Gasket middle	1
32	050.0211	Plate for gear casing	1
33	050.0171	Gear 34/40Z	1
34	050.0231	Axle 13T	1
35	040.0301	Key	1
36	032.0221	Bearing 608 8 x 22 x 7	1
37	050.0426	Circlip 471/15/1	1
38	050.0177	Spindle gear	1
39	050.0182	Adapter ring	1
40	050.0291	Clutch shaft	1
41	040.0286	Gear switch	1
42	032.0211	Casing pin 4 x 12	1
43	050.0221	Bearing 17 x 40 x 12	1
44	050.0208	Gear box incl. plate 220V	1
	050.0209	Gear box incl. plate 110V	
45	032.0106	Screw M5 x 50	4
46	050.0466	Bearing 20 x 37 x 9	1
47	050.0431	Key for spindle drive 5 x 5 x 10 mm	1
48	050.0191	Spindle drive shaft MT2	1
49	020.0156	Bolt M6 x 20	10
50	020.0111	Washer M6 DIN7980	10
51	040.0041	Motor fixing plate 110 mm	1
52	020.0063	Screw M5 x 20	3
53	KSP.M/3	Tank holder	1
54	050.0141	Motor holder	1
55	020.0146B	Screw M6 x 35	1
56	050.0011	Slide	1
57	032.0016	Rack	1
58	020.0086/Z	Rail set Aluminium (L/R) Z-profile	1
59			
60	020.0229	Screw M4 x 20	6
61	020.0298	Motor cable clamp	1
62	020.0081	Screw BKVZ M6 x 16	1
63	020.0077H	End plate black	1
64	020.0101	Panel screw BKVZ M4 x 8	4
65	PP.RSEU-220	Rear panel EB 220V	1
	PP.RSEU-110	Rear panel EB 110V	

No.	Part. no.	Description	Qty
70A	050T.1028	Speed control unit 220V	1
	050T.1028A	Speed control unit 110V	
72	020.0056/X	Frame aluminium rail (L)	1
73	020.0231	Screw M5 x 6	4
74	360.1040	Motor cable cover	1
74A	050T.B060	Motor cable complete	1
74B	CS050T.0341/2	Cable set 1608 ->	1
75	020.0041	Coupling nut PG9 (motor cable)	2
76	020.0061/XB	Capstan hub assembly black	1
77	020.0315	Arm for capstan	3
78	032.1016	Main cable set 220V EU	1
	032.1016A	Main cable set 110V US	1
10	020.0182	Grounding screw/washer/nut	1
79			
80			
79	020.0037	Cable clamp complete	1
81			
82			
83	032T.0009	Spacer	1
84	050T+.0003X	Front panel ECO.50+/T	1
85	030E.0091/Y	Motor switch 220V (5-pin) yellow	1
	030E.0092/Y	Motor switch 110V (5-pin) yellow	
86	100.0152	R/L switch (push) 1800W	1
86A	050T+.B040Z	Panel plate assembly 220V	1
	050T+.B040ZA	Panel plate assembly 110V	
86B	Diode.50+/T	Diode ECO.50+/T	1
87	020.0017	Fuse 5 x 20 F2A	1
88	020.0016	Fuse holder	1
89	020.0011/1	Magnet switch	1
90	020.0206	LED indicator set	1
91	050T.1009	Potentiometer (turn) knob	1
92	020.0257	Capacitance	1
93	020.0112	Washer M6	4
94	055.1041	Gyroscope PCB set	1
95	100.1008	Sensor	1

No.	Part. no.	Description	Qty
96	050T.1022	Magnet 220V	1
	050T.1022A	Magnet 110V	
200	050T+.2010	Case for ECO.50+/T with sticker	1
201	KSP.Q2	Coolant tank Quick Connect 2015	1
202	IBO.0.2L	Bottle 0.2LTR	1
203	PRM.61	Euroboor working gloves size M	1
	PRM.62	Euroboor working gloves size L	
	PRM.63	Euroboor working gloves size XL	
204	SAF.400	Safety chain (1 mtr) with lock	1
205	SAF.100	Safety goggles	1
206	KSP.P	Pin and knob for cooling tank	1
207	SAF.200	Ear plugs	1
208	050.0141A	Stop pin	1
209	IMB.US2.5	Allen key 2.5 mm	1
210	IMB.US3	Allen key 3.0 mm	1
211	IMB.US4	Allen key 4.0 mm	1
212	IMB.US5	Allen key 5.0 mm	1
213	DRIFT2	Drift MT2	1
214	SAF.MDMB	Safety guard for ECO.50	1
215	020.0223	Screw M5 x 10	2
216	IMC.20	Arbor MT2 - 19.05 (3/4") Weldon	1
217	TCM.10D376	Tap holder DIN376 M10 Ø7	1
218	TCM.12D376	Tap holder DIN376 M12 Ø9	1
219	TCM.14D376	Tap holder DIN376 M14 Ø11	1
220	TCM.16D376	Tap holder DIN376 M16 Ø12	1
217	TCM.3/8ANSI	Tap holder ANSI 3/8"	1
218	TCM.7/16ANSI	Tap holder ANSI 7/16"	1
219	TCM.1/2ANSI	Tap holder ANSI 1/2"	1
220	TCM.5/8ANSI	Tap holder ANSI 5/8"	1
	IBO.G1	Gear box oil IBO.G1 1LTR	1
	IBO.6001	Tapping oil IBO.60 1 LTR	1
	iBP.70	Cutting paste IBP.70 1KG	1