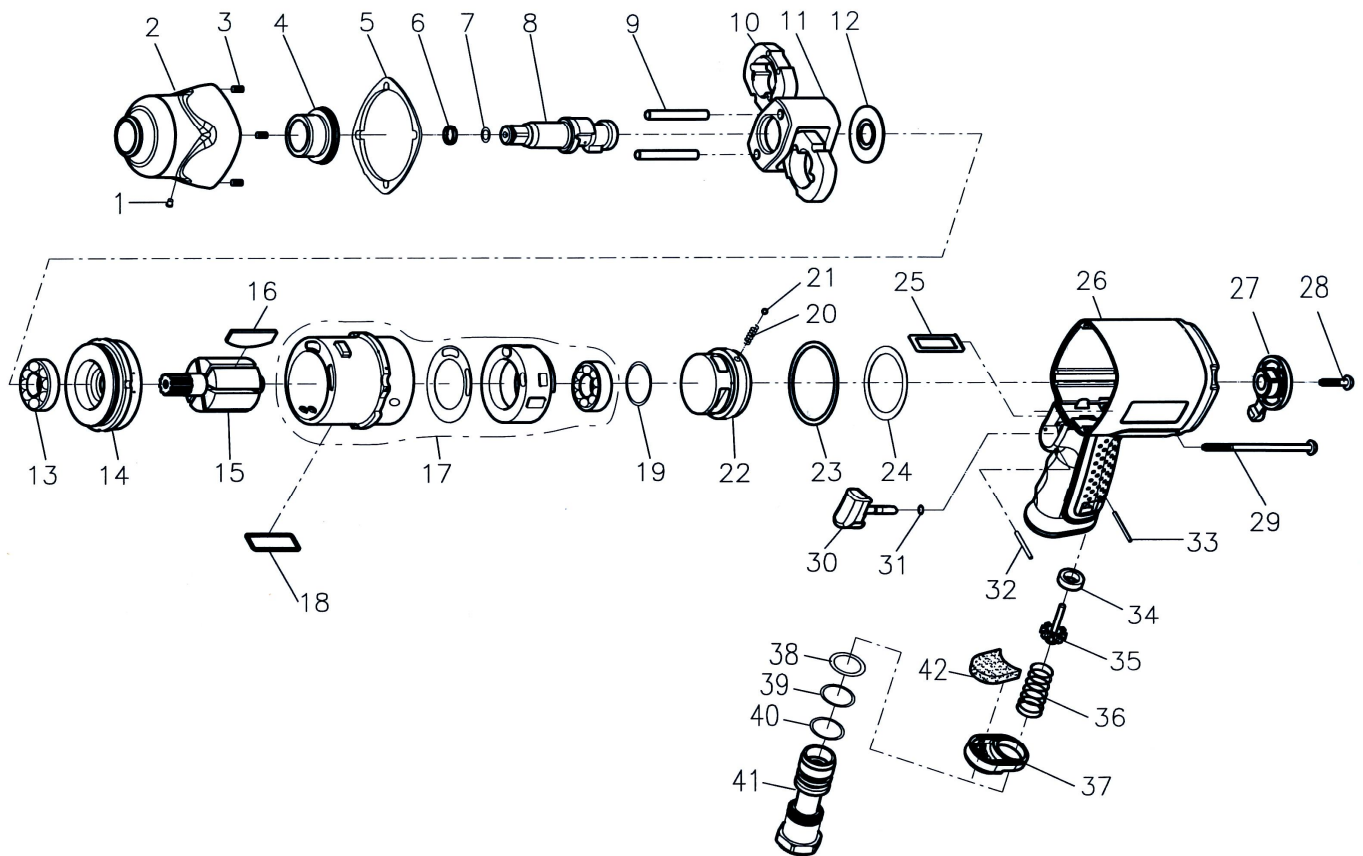


# 3/8" & 1/2" PROFESSIONAL AIR IMPACT WRENCH



Index No.	Part No.	Description	Q'ty	Index No.	Part No.	Description	Q'ty
1	00-4603	Grease Fitting	1	20	305F-034	Spring	1
2	243V-002	Hammer Case	1	21	00-3805	Steel Ball	1
3	00-4302	Inserts Recoil	4	22	243J-021	Regulator	1
4	242-010B	Anvil Bushing	1	23	243F-030	Rear Gasket	1
5	243H-020	Front Gasket	1	24	243F-031	Washer	1
6	242-026	Anvil Collar (3/8" Square)	1	25	243F-019	Air Channel Gasket	1
	250-033	Anvil Collar (1/2" Square)		26	243V-001	Motor Housing	1
7	00-4144	O-Ring (3/8" Square)	1	27	243V-022	Regulator Knob	1
	00-4103	O-Ring (1/2" Square)		28	00-1303	Cap Screw	1
8	243F-SH-011NA3	Anvil (3/8" Square)	1	29	243H-028	Screw	4
	243F-SH-011NA4	Anvil (1/2" Square)		30	305H-024	Trigger	1
9	243F-SH-016	Hammer Pin	2	31	00-4101	O-Ring	1
10	243V-017	Hammer	2	32	00-3346	Spring Pin	1
11	243F-SH-012	Hammer Cage	1	33	00-3309	Spring Pin	1
12	243-020	Rear Washer	1	34	306-027-B	Bushing	1
13	00-2306	Ball Bearing	1	35	306-026	Valve Stem	1
14	243F-005	Front End Plate	1	36	243H-023	Spring	1
15	243F-007	Rotor	1	37	305V-021	Exhaust Deflector	1
16	243F-008D	Rotor Blade	6	38	00-4126	O-Ring	1
17	243F-006B	Cylinder	1	39	00-4143	O-Ring	1
	243F-033	Valve Sleeve Gasket	1	40	00-4173	O-Ring	1
	243F-029	Valve Sleeve	1	41	305J-025A	Air Inlet (1/4" PF)	1
	00-2326	Ball Bearing	1		305J-025B	Air Inlet (1/4" PT)	1
18	243F-041	Square Ring	1		305J-025C	Air Inlet (1/4" NPT)	1
19	00-4158	O-Ring	1	42	305V-027	Non Woven	1